

Dell Precision M4800/M6800

Setup And Features Information

About Warnings

 **WARNING:** A WARNING indicates a potential for property damage, personal injury, or death.

M4800 — Front, Back, and Base View

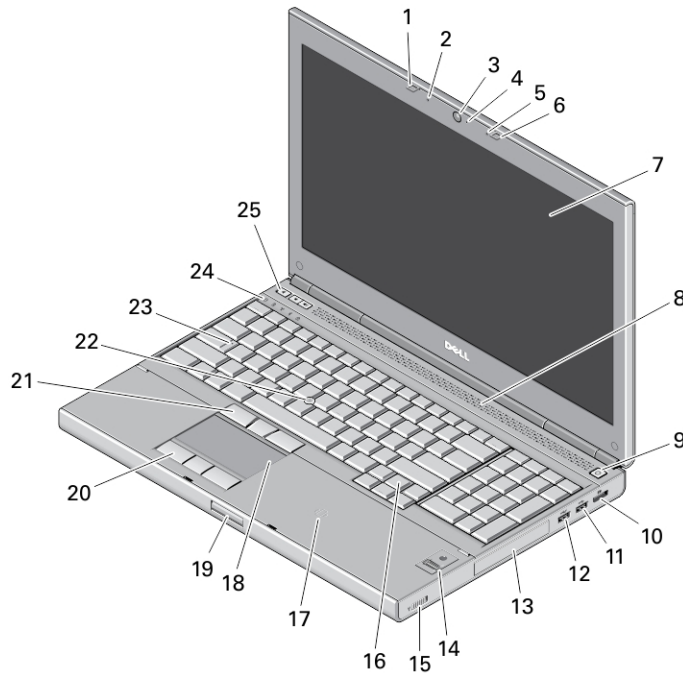


Figure 1. Front View

- | | |
|---------------------------|--|
| 1. display latch | 11. USB 3.0 connector |
| 2. microphone | 12. USB 3.0 connector with PowerShare |
| 3. camera (optional) | 13. hard drive |
| 4. camera LED | 14. fingerprint reader (optional) |
| 5. microphone | 15. wireless switch |
| 6. display latch | 16. keyboard |
| 7. display | 17. contactless card reader (optional) |
| 8. speakers (2) | 18. touchpad |
| 9. power button | 19. display-latch release button |
| 10. DisplayPort connector | 20. touchpad buttons (3) |



067XNXA00

Regulatory Model: P30F, P20E
Regulatory Type: P20E001, P30F001
2013 - 07

- 21. track stick buttons (3)
- 22. track stick
- 23. caps lock LED

- 24. device status lights
- 25. volume control buttons

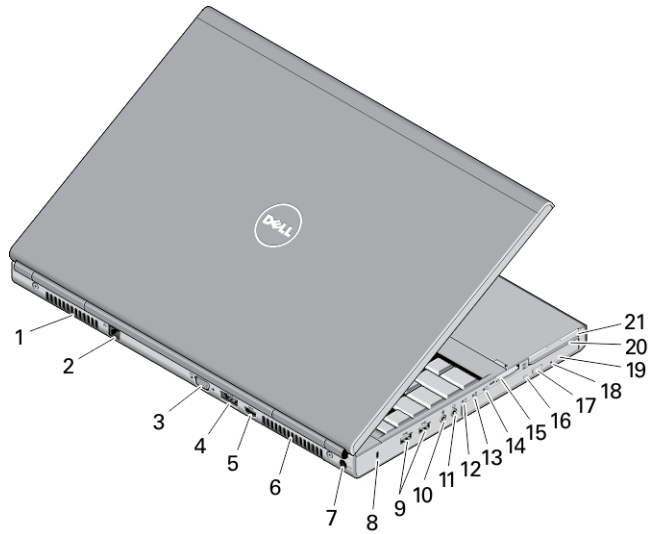


Figure 2. Back View

- 1. cooling vent
- 2. network connector
- 3. VGA connector
- 4. eSATA/USB 2.0 connector
- 5. HDMI connector
- 6. cooling vent
- 7. power connector
- 8. security cable slot
- 9. USB 3.0 connectors (2)
- 10. microphone connector
- 11. headset connector

- 12. hard-drive status light
- 13. battery status light
- 14. power light
- 15. memory card slot
- 16. optical-drive status light
- 17. optical-drive eject button
- 18. optical-drive eject hole
- 19. optical drive
- 20. smart card reader slot (optional)
- 21. ExpressCard slot

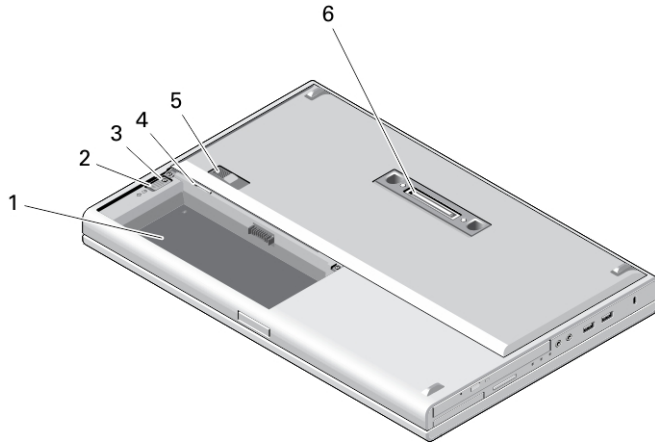


Figure 3. Base View

- | | |
|------------------------------|--------------------------|
| 1. battery bay | 5. battery release latch |
| 2. hard-drive eject latch | 6. docking connector |
| 3. hard-drive security screw | |
| 4. SIM card slot | |

M6800 — Front, Back, and Base View

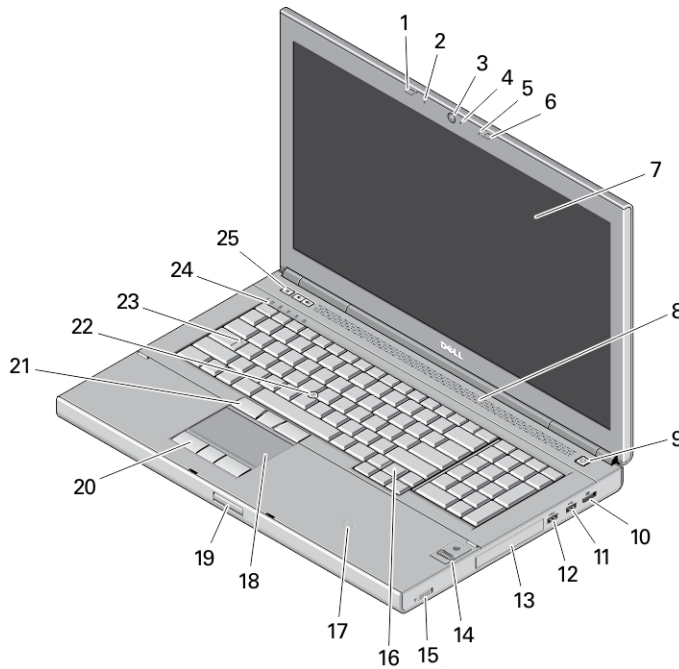


Figure 4. Front View

- | | |
|------------------|----------------------|
| 1. display latch | 3. camera (optional) |
| 2. microphone | 4. camera LED |

- 5. microphone
- 6. display latch
- 7. display
- 8. speakers (2)
- 9. power button
- 10. DisplayPort connector
- 11. USB 3.0 connector
- 12. USB 3.0 connector with PowerShare
- 13. hard drive
- 14. fingerprint reader (optional)
- 15. wireless switch
- 16. keyboard
- 17. contactless card reader (optional)
- 18. touchpad
- 19. display-latch release button
- 20. touchpad buttons (3)
- 21. track stick buttons (3)
- 22. track stick
- 23. caps lock LED
- 24. device status lights
- 25. volume control buttons

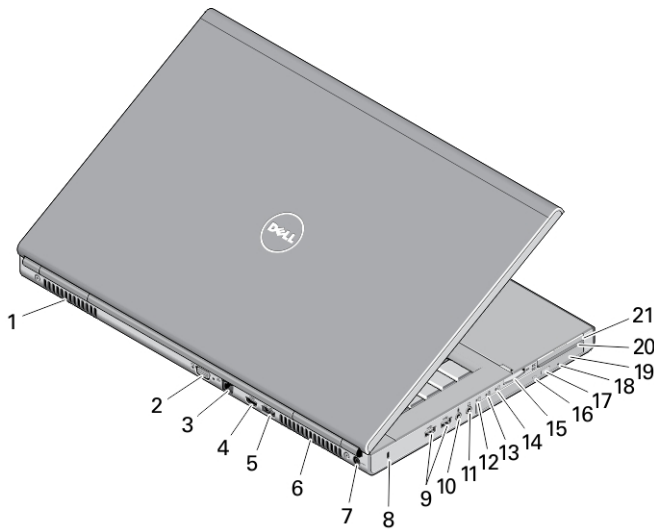


Figure 5. Back View

- 1. cooling vent
- 2. VGA connector
- 3. network connector
- 4. HDMI connector
- 5. eSATA/USB 2.0 connector
- 6. cooling vent
- 7. power connector
- 8. security cable slot
- 9. USB 3.0 connectors (2)
- 10. microphone connector
- 11. headset connector
- 12. hard-drive status light
- 13. battery status light
- 14. power light
- 15. memory reader slot
- 16. optical-drive status light
- 17. optical-drive eject button
- 18. optical-drive eject hole
- 19. optical drive
- 20. smart card reader slot (optional)
- 21. ExpressCard slot

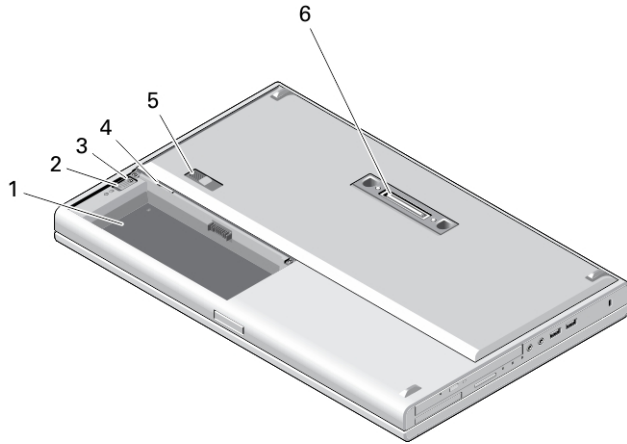


Figure 6. Base View

- | | |
|------------------------------|--------------------------|
| 1. battery bay | 5. battery release latch |
| 2. hard-drive eject latch | 6. docking connector |
| 3. hard-drive security screw | |
| 4. SIM card slot | |

⚠ WARNING: Do not block, push objects into, or allow dust to accumulate in the air vents. Do not store your Dell computer in a low-airflow environment, such as a closed briefcase, while it is running. Restricting the airflow can damage the computer or cause a fire. The computer turns on the fan when the computer gets hot. Fan noise is normal and does not indicate a problem with the fan or the computer.

Quick Setup

⚠ WARNING: Before you begin any of the procedures in this section, read the safety information that shipped with your computer. For additional best practices information, see www.dell.com/regulatory_compliance

⚠ WARNING: The AC adapter works with electrical outlets worldwide. However, power connectors and power strips vary among countries. Using an incompatible cable or improperly connecting the cable to the power strip or electrical outlet may cause fire or equipment damage.

⚠ CAUTION: When you disconnect the AC adapter cable from the computer, grasp the connector, not the cable itself, and pull firmly but gently to avoid damaging the cable. When you wrap the AC adapter cable, ensure that you follow the angle of the connector on the AC adapter to avoid damaging the cable.

🔧 NOTE: Some devices may not be included if you did not order them.

1. Connect the AC adapter to the AC adapter connector on the computer and to the electrical outlet.

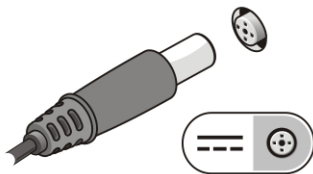


Figure 7. AC Adapter

2. Connect the network cable (optional).

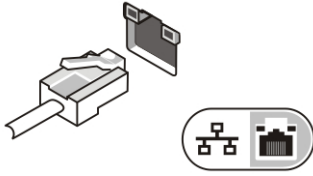


Figure 8. Network Connector

3. Connect USB devices, such as a mouse or keyboard (optional).

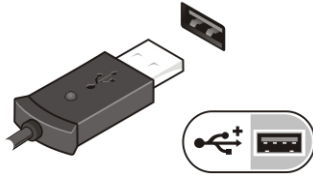



Figure 9. USB Connector


4. Open the computer display and press the power button to turn on the computer.




Figure 10. Power Button

 **NOTE:** It is recommended that you turn on and shut down your computer at least once before you install any cards or connect the computer to a docking device or other external device, such as a printer.

Specifications

 **NOTE:** Offerings may vary by region. The following specifications are only those required by law to ship with your computer. For comprehensive specification of your computer go to **Specifications'** section in your **Owner's Manual** available on the support site at dell.com/support. For more information about the configuration of your computer, go to **Help and Support** in your Windows operating system and select the option to view information about your computer.

 **NOTE:** A 64-bit operating system is required to support systems with 2 GB or greater graphics and system memory. Significant system memory may be used to support graphics, depending on system memory size, operating system, and other factors. A 64-bit discrete graphics driver may be downloaded from dell.com/support.

Power	
AC Adapter	
M4800	180 W
M6800	240 W
Output	19.5 V
Input voltage	100 VAC - 240 VAC

Power	
Coin-cell battery	3 V / 210 mA

	M4800		M6800	
	Non-Touch	Touch	Non-Touch	Touch
Height				
Front	32.9 mm (1.29 inches)		33.1 mm (1.30 inches)	36.1 mm (1.42 inches)
Back	36.7 mm (1.44 inches)		37.2 mm (1.46 inches)	40.2 mm (1.58 inches)
Width				
		376 mm (14.80 inches)		416.7 mm (16.40 inches)
Depth				
		256 mm (10.07 inches)		270.6 mm (10.65 inches)
Weight (Minimum)				
		2.89 kg (6.38 lb)		3.58 kg (7.89 lb)

Environmental	
Operating Temperature	0 °C to 35 °C (32 °F to 95 °F)

Information para NOM (únicamente para México)

The following information is provided on the device described in this document in compliance with the requirements of the official Mexican standards (NOM).

Voltaje de alimentación	100 VAC – 240 VAC
Frecuencia	50 Hz – 60 Hz
Consumo eléctrico	M4800: 2.34 A / 2.5 A M6800: 3.5 A
Voltaje de salida	19.50 V de CC
Intensidad de salida	9.23 A / 12.3 A

Finding More Information and Resources

See the safety and regulatory documents that shipped with your computer and the regulatory compliance website at www.dell.com/regulatory_compliance for more information on:

- Safety best practices
- Regulatory certification
- Ergonomics

See www.dell.com for additional information on:

- Warranty
- Terms and Conditions (U.S. only)
- End User License Agreement

Additional information on your product is available at www.dell.com/support/manuals

© 2013 Dell Inc.

Trademarks used in this text: Dell™, the DELL logo, Dell Precision™, Precision ON™, ExpressCharge™, Latitude™, Latitude ON™, OptiPlex™, Vostro™, and Wi-Fi Catcher™ are trademarks of Dell Inc. Intel®, Pentium®, Xeon®, Core™, Atom™, Centrino®, and Celeron® are registered trademarks or trademarks of Intel Corporation in the U.S. and other countries. AMD® is a registered trademark and AMD Opteron™, AMD Phenom™, AMD Sempron™, AMD Athlon™, ATI Radeon™, and ATI FirePro™ are trademarks of Advanced Micro Devices, Inc. Microsoft®, Windows®, MS-DOS®, Windows Vista®, the Windows Vista start button, and Office Outlook® are either trademarks or registered trademarks of Microsoft Corporation in the United States and/or other countries. Blu-ray Disc™ is a trademark owned by the Blu-ray Disc Association (BDA) and licensed for use on discs and players. The Bluetooth® word mark is a registered trademark and owned by the Bluetooth® SIG, Inc. and any use of such mark by Dell Inc. is under license. Wi-Fi® is a registered trademark of Wireless Ethernet Compatibility Alliance, Inc.

2013 - 07

Rev. A00